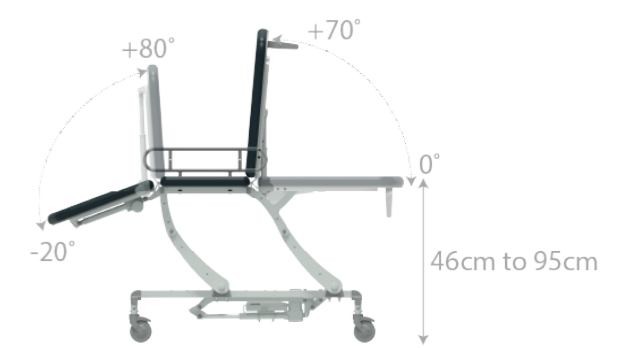
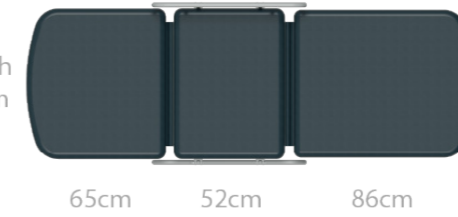


Width  
70cm



## CLINNOVA Mobile 3 Section



A very strong and rigid couch, fitted with large castors which make movement much easier. Fitted with a paper roll holder and side support rails as standard. Suitable for heavy patients for examination and minor treatment procedures.

### Models

See Page 18-19 for available models



Model NV3670-PRM  
Colour Cream

### Standard Features

- Strong & sturdy design, supporting & lifting patients up to a maximum weight of 265Kg (583lbs)
- Gas assisted or electric head section, adjustable from -20° to +80°
- Gas assisted or electric foot section, adjustable from 0° to +70°
- Anti-trap gas assisted sections prevent risk of crushing and harm to patient, user or furniture
- Hydraulic pump action or electric height elevation
- Variable height range of 46 to 95cm for individual working heights
- Choice of 125mm independent or central locking castors
- Purpose-made precision bearings ensure quiet, reliable operation and increase product life expectancy
- Frame design enables use of mobile hoist
- Electric models include a hand switch as standard
- Laser cut fixing points to easily retrofit approved accessories
- Anti-microbial paint additive on framework prevents growth of bacteria, fungi and viruses
- 70cm wide Easy Clean Upholstery conceals all visible staples
- Choice of Standard or Standard+ upholstery colours

### Optional Accessories

- 6004** Breathing hole and plug
- 6200** Single foot switch (NV3X60 only)
- 6207** Double foot switch (NV3X70 only)
- 9003P** Side support rail cushions (Pair)
- 6006** Upper limb support
- 6007** Removable head/knee support
- 6057** Battery back-up facility
- 6054** Telescopic IV pole



Paper Roll Holder  
Fitted as Standard



Model NV3450-CLS  
Colour Sky Blue

## CLINNOVA Mobile 3 Section - Models Available



### NV3450-CLS

Hydraulic Height Elevation  
Gas Assisted Head Section  
Gas Assisted Foot Section  
Independently Braking Castors  
Classic Base



### NV3460-CLS

Electric Height Elevation  
Gas Assisted Head Section  
Gas Assisted Foot Section  
Independently Braking Castors  
Classic Base



### NV3470-CLS

Electric Height Elevation  
Electric Head Section  
Electric Foot Section  
Independently Braking Castors  
Classic Base



### NV3650-CLS

Hydraulic Height Elevation  
Gas Assisted Head Section  
Gas Assisted Foot Section  
Central Locking Castors  
Classic Base



### NV3660-CLS

Electric Height Elevation  
Gas Assisted Head Section  
Gas Assisted Foot Section  
Central Locking Castors  
Classic Base



### NV3670-CLS

Electric Height Elevation  
Electric Head Section  
Electric Foot Section  
Central Locking Castors  
Classic Base



### NV3450-PRM

Hydraulic Height Elevation  
Gas Assisted Head Section  
Gas Assisted Foot Section  
Independently Braking Castors  
Premium Base



### NV3460-PRM

Electric Height Elevation  
Gas Assisted Head Section  
Gas Assisted Foot Section  
Independently Braking Castors  
Premium Base



### NV3470-PRM

Electric Height Elevation  
Electric Head Section  
Electric Foot Section  
Independently Braking Castors  
Premium Base



### NV3650-PRM

Hydraulic Height Elevation  
Gas Assisted Head Section  
Gas Assisted Foot Section  
Central Locking Castors  
Premium Base



### NV3660-PRM

Electric Height Elevation  
Gas Assisted Head Section  
Gas Assisted Foot Section  
Central Locking Castors  
Premium Base



### NV3670-PRM

Electric Height Elevation  
Electric Head Section  
Electric Foot Section  
Central Locking Castors  
Premium Base