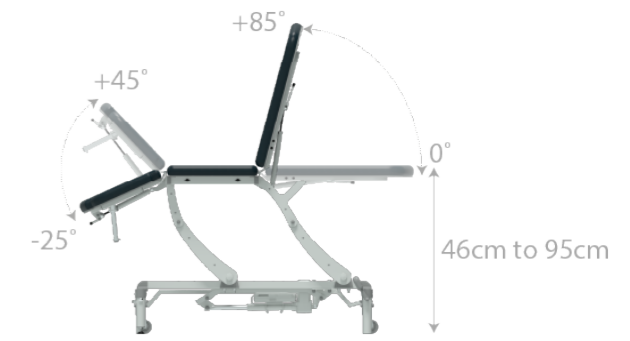


Width
70cm



52cm 52cm 86cm



CLINNOVA Therapy 3 Section (Plus)

A very strong and rigid couch available with a wide range of accessories. The additional section provides extra versatility and allows a seated position. Suitable for supporting very heavy patients.



Models

See Page 26-27 for available models



Model NV3569-PRM
with 9001 Perimeter Foot Switch
Colour Canard

Standard Features

- Strong & sturdy design, supporting & lifting patients up to a maximum weight of 265Kg (583lbs)
- Gas assisted head section, adjustable from -25° to +45°
- Gas assisted foot section, adjustable from 0° to +85°
- Anti-trap gas assisted head section prevents risk of crushing
- Hydraulic pump action or electric height elevation
- Variable height range of 46 to 95cm for individual working heights
- Linked retractable wheels with adjustable foot for uneven floors
- Lock & Go transport mode for easy moving
- Purpose-made precision bearings ensure quiet, reliable operation and increase product life expectancy
- Frame design enables use of mobile hoist
- Electric models include a hand switch as standard
- Laser cut fixing points to easily retrofit approved accessories
- Anti-microbial paint additive on framework prevents growth of bacteria, fungi and viruses
- 70cm wide Easy Clean Upholstery conceals all visible staples
- Choice of Standard or Standard+ upholstery colours

Optional Accessories

- 9001** Perimeter foot switch (NV3569 only)
- 6200** Single foot switch (NV3569 only)
- 9003** Side support rails (Pair)
- 9003P** Side support rail cushions (Pair)
- 9005** Paper Roll Holder
- 6007** Removable head/knee support
- 9008** Integral Face Cradle Cushion



Adjustable armrests included as standard
on Plus models



Model NV3559-CLS
Colour Burgundy

CLINNOVA Therapy 3 Section (Plus) - Models Available



NV3559-CLS

Hydraulic Height Elevation
Gas Assisted Head Section
Gas Assisted Foot Section
Classic Base



NV3569-CLS

Electric Height Elevation
Gas Assisted Head Section
Gas Assisted Foot Section
Hand or Foot Switch
Classic Base



NV3569-CLS-EPFS

Electric Height Elevation
Gas Assisted Head Section
Gas Assisted Foot Section
Perimeter Foot Switch
Classic Base



NV3559-PRM

Hydraulic Height Elevation
Gas Assisted Head Section
Gas Assisted Foot Section
Premium Base



NV3569-PRM

Electric Height Elevation
Gas Assisted Head Section
Gas Assisted Foot Section
Hand or Foot Switch
Premium Base



NV3569-PRM-EPFS

Electric Height Elevation
Gas Assisted Head Section
Gas Assisted Foot Section
Perimeter Foot Switch
Premium Base